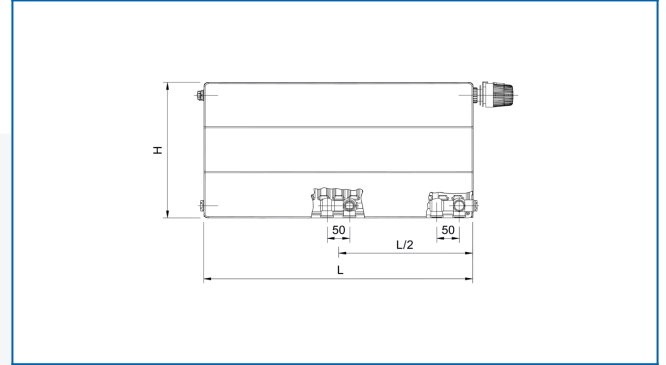


RADIK LINE VKM8

Steel panel radiator with flat front panel with fine horizontal grooves and universal connection



Entered filters

Heat output: t_1 : 167 °F | t_2 : 149 °F | t : 68 °F | Δt : 122 °F

