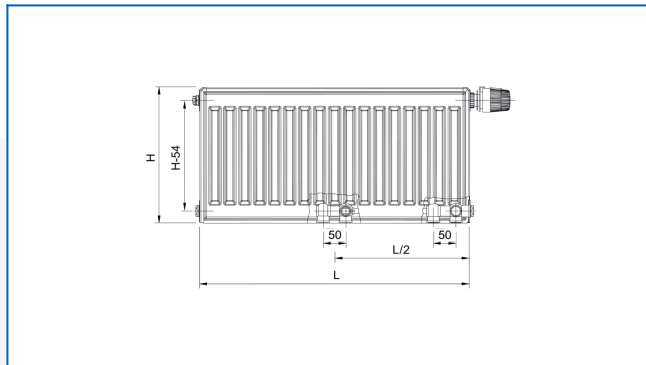


## RADIK VKM8

Steel panel radiator with universal connection type 11.



## Entered filters

Heat output:  $t_1: 167\text{ }^\circ\text{F}$  |  $t_2: 149\text{ }^\circ\text{F}$  |  $t: 68\text{ }^\circ\text{F}$  |  $\Delta t: 122\text{ }^\circ\text{F}$

