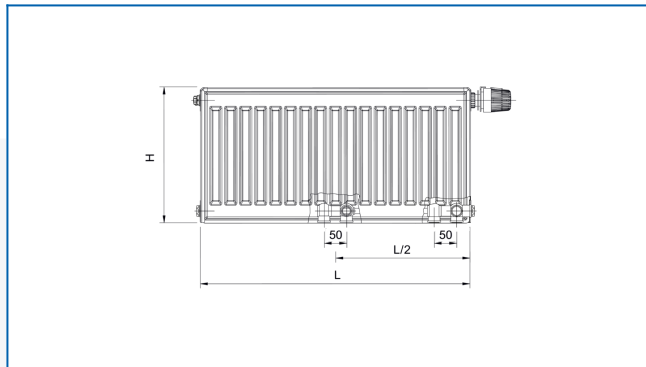
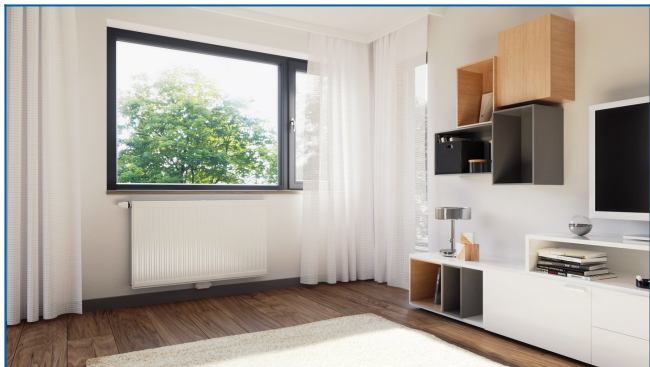


RADIK VKM8-U

Steel panel radiator with universal connection types 21 and 22.



Entered filters

Heat output: $t_1: 167\text{ °F}$ | $t_2: 149\text{ °F}$ | $t: 68\text{ °F}$ | $\Delta t: 122\text{ °F}$

